

INVITATION

FIS SKI JUMPING CONTINENTAL CUP

ZAKOPANE, POL 31.01.-01.02 2015

Dear Ski Friends,

Below you will find an invitation to the FIS Continental Cup events that will be held in Zakopane, Poland on 30.01.-01.02.2015

We hope to provide you with all the necessary information on the event.

Should you have any further question do not hesitate to get back to us.

VENUE

Ski Jumping competitions will take place on the Wielka Krokiew HS-134 Jumping Hill.





FÉDÉRATION INTERNATIONALE DE SKI
INTERNATIONAL SKI FEDERATION
INTERNATIONALER SKI - VERBAND



No. 105 / POL 1 2.Verlängerung

CERTIFICATE OF JUMPING HILL
CERTIFICAT DE CONFORMITE
SCHANZENPROFILBESTÄTIGUNG

Date of issue 12.12.2011
Établi le
Ausgestellt am

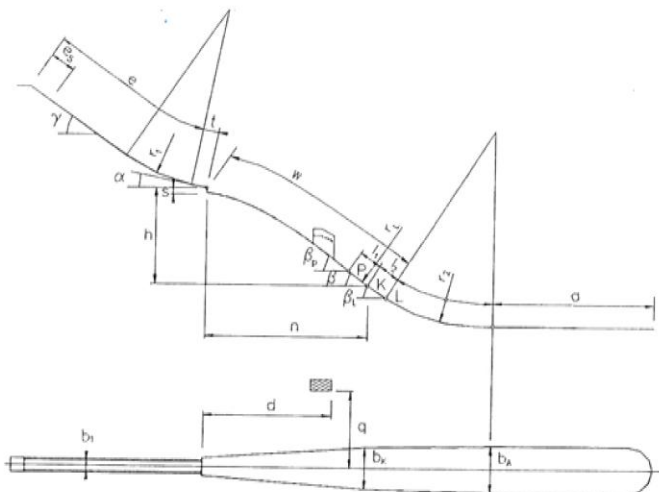
Valid till 31.12.2016
Valable jusq' au
Gültig bis

Place: Zakopane

Name: Wielka Krokiew

HS = 134 m h/n 0.585

Vo = 25.5m/s



$e = 91$ m	$l_1 = 11$ m	$P = 109$ m
$e_s = 16$ m	$l_2 = 13.90$ m	$K = 120$ m
$t = 6.5$ m	$a = 107$ m	$L = 133.90$ m
$\gamma = 35^\circ$	$\beta_p = 37.5^\circ$	$b_1 = 2.5$ m
$\alpha = 10.5^\circ$	$\beta = 35.5^\circ$	$b_K = 24$ m
$r_1 = 100$ m	$\beta_L = 33^\circ$	$b_A = 26.4$ m
$h = 60.29$ m	$r_L = 316$ m	$d = 84$ m
$n = 103.06$ m	$r_2 = 133.5$ m	$q = 35$ m
$s = 3.0$ m		

JUMPING HILL APPROVED BY THE FIS
TREPLIN HOMOLOGUE PAR LA FIS
DURCH DIE FIS GENEHMIGTE SPRUNGSCHANZE

SUB-COMMITTEE FOR JUMPING HILLS

CHAIRMAN:

Handwritten signature

ORGANISING COMMITTEE

Tatrzański Związek Narciarski – TATRA SKI FEDERATION
ul. Bronisława Czecha 1B
34-500 Zakopane, Poland
Phone: +48 18 20 153 08
Fax: +48 18 20 125 88
Email: office@tzn.com.pl
Website: <http://www.tzn.com.pl>

Race Office, Accreditation and Accommodation Office

Tatrzański Związek Narciarski – TATRA SKI FEDERATION
ul. Bronisława Czecha 1B
34-500 Zakopane, Poland

Meeting room

Hotel COS Zakopane
ul. Bronisława Czecha 1
34-500 Zakopane, Poland

Competition Management

Chief of Competition	Wojciech Skupień
Race Secretary	Bożena Zagata
Chief of accreditation & calculations	Marek Kowalczyk
Chief of hill	Andrzej Stryczek

FIS OFFICIALS

FIS Coordinator COC	Tielmann Horst	FIS
TD	Brunner Martin	GER
TD-Assistant	Diess Alexander	AUT
Jumping Judges	Stano Peter	SVK
	Długopolski Kazimierz	POL
	Pilch Jerzy	POL
	Przybyła Edward	POL
	Pochwała Lech	

ACCOMMODATION

The FIS Ski Jumping Continental Cup Zakopane 2015 Organizing Committee takes care of the full board accommodation for the athletes and officials.

The bookings for national teams are organized by the OC according to the team quotas and sent entries.

All the bookings and accommodation request shall be sent directly to the OC of Zakopane address.

The price for the daily full board accommodation, for those over national quotas, is:

- 50 Euro per person FB

Cash and credit cards are accepted.

If there are any NSF who had made their own accommodation arrangements are obliged to inform the OC about the fact not later than **January 14**

The LOC does not guarantee the availability of accommodation for requests and entries sent later than January 25

Hotel address:

**Hotel COS Zakopane
Bronislawa Czecha Street
34-500 Zakopane**

TRANSFERS

Airport pick-ups will be provided on the teams' requests.

All team cars will get special parking labels to park in the reserved areas.

DEADLINES

Entries by numbers: January 14

Entries by names: January 25

Accreditation requests only by NSF by January 25

FIS Family tickets will be granted according to new FIS rules.

ARRIVALS

By plane : Warszawa (450 km)

Katowice (180 km)

Kraków (110 km)

By train : Zakopane

By car : PL / SVK boarder:

West - Sucha Hora- Chochołów 20km

East - Łysa Polana 20 km

All the airport pick-ups will be provided by the LOC at the teams' expense, provided that they are requested for in advance.

FIS SKI JUMPING CONTINENTAL CUP ZAKOPANE, POL 30.01.-01.02. 2015

COC Zakopane PROGRAM

- 29.01.2015** **CZWARTEK /DONNERSTAG/ THURSDAY**
18:00 Przyjazd ekip / Anreise / Arrival at the Zakopane Hotel
- 30.01.2015** **PIĄTEK /FREITAG/ FRIDAY**
9:00 Odprawa Techniczna / Mannschaftsführersitzung / Team captains' meeting
- 12:30 I Oficjalny trening HS-134 (2 serie)
 I. Offizielles Training HS-134 (2 Durchgänge)
 1st Official training HS-134 (2 rounds)
- 31.01.2015** **SOBOTA /SAMSTAG/ SATURDAY**
10.30 Seria próbna / Probedurchgang /Trial round
- 12.00 Konkurs skoków Puchar Kontynentalny HS-134
 Continentalcup im Skispringen HS-134
 Ski Jumping Continental Cup Competition HS-134
- 01.02.2015** **NIEDZIELA /SONNTAG/ SUNDAY**
10.00 Seria próbna / Probedurchgang /Trial round
- 11.30 Konkurs skoków Puchar Kontynentalny HS-134
 Continentalcup in Skispringen HS-134
 Ski Jumping Continental Cup Competition HS-134

SKI WAXING and SERVICE AREA

Ski wax cabins will be located at Wielka Krokiew HS-134 hill.

DOPING CONTROL

According to FIS standards and rules.

INSURANCE

All athletes need the insurance arranged by their National Ski Associations.
The Organizing Committee is not responsible for any injuries of the athletes neither for the damage or lost property.

LANGUAGE

The official language is English.

ADDITIONAL PROGRAMME

Ceremonies according to official programme and FIS guidelines.

VISA INFORMATION

This invitation should be enough to get visas. In case you will need assistance with getting these, do not hesitate to contact us.