



# FIS CUP

## ZAKOPANE 09-10.02.2013



## INVITATION

### FIS CUP

### ZAKOPANE

### 09-10 FEBRUARY 2013

Dear Ski Friends,

Below you will find an invitation to the FIS Cup events that will be held in Zakopane, Poland on February 09 and 10.

We hope to provide you with all the necessary information on the event. Should you have any further question do not hesitate to get back to us.

#### VENUE

Ski Jumping competitions will take place on the Wielka Krokiew HS-134 Jumping Hill.





FÉDÉRATION INTERNATIONALE DE SKI  
INTERNATIONAL SKI FEDERATION  
INTERNATIONALER SKI - VERBAND



No. 105 / POL 1 2.Verlängerung

### CERTIFICATE OF JUMPING HILL CERTIFICAT DE CONFORMITE SCHANZENPROFILBESTÄTIGUNG

Date of issue 12.12.2011  
Établi le  
Ausgestellt am

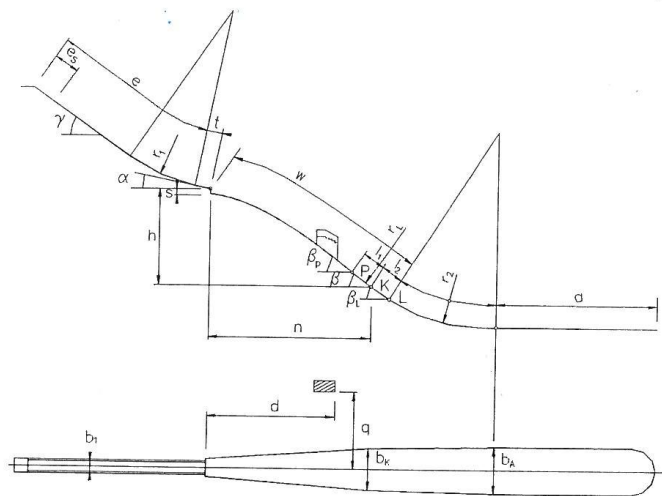
Valid till 31.12.2016  
Valable jusq' au  
Gültig bis

Place: Zakopane

Name: Wielka Krokiew

HS = 134 m h/n 0.585

Vo = 25.5m/s



e = 91 m	$l_1 = 11$ m	P = 109 m
$e_s = 16$ m	$l_2 = 13.90$ m	K = 120 m
t = 6.5 m	a = 107 m	L = 133.90 m
$\gamma = 35^\circ$	$\beta_p = 37.5^\circ$	$b_1 = 2.5$ m
$\alpha = 10.5^\circ$	$\beta = 35.5^\circ$	$b_K = 24$ m
$r_1 = 100$ m	$\beta_L = 33^\circ$	$b_A = 26.4$ m
h = 60.29 m	$r_L = 316$ m	d = 84 m
n = 103.06 m	$r_2 = 133.5$ m	q = 35 m
s = 3.0 m		

JUMPING HILL APPROVED BY THE FIS  
TREMLIN HOMOLOGUE PAR LA FIS  
DURCH DIE FIS GENEHMIGTE SPRUNGSCHANZE

SUB-COMMITTEE FOR JUMPING HILLS

CHAIRMAN:





# FIS CUP

## ZAKOPANE 09-10.02.2013



### **ORGANISING COMMITTEE**

Tatrzański Związek Narciarski – TATRA SKI FEDERATION  
ul. Bronisława Czecha 1B  
34-500 Zakopane, Poland  
Phone: +48 18 20 153 08  
Fax: +48 18 20 125 88  
Email: [office@tzn.com.pl](mailto:office@tzn.com.pl)  
Website: <http://www.tzn.com.pl>

### **Race Office, Accreditation and Accommodation Office**

Tatrzański Związek Narciarski – TATRA SKI FEDERATION  
ul. Bronisława Czecha 1B  
34-500 Zakopane, Poland

### **Meeting room**

Tatrzański Związek Narciarski – TATRA SKI FEDERATION  
ul. Bronisława Czecha 1B  
34-500 Zakopane, Poland

### **ACCOMMODATION**

The FIS Ski Jumping FIS Cup Zakopane 2013 Organizing Committee takes care of the full board accommodation for the athletes and officials.

The bookings for national teams are organized by the OC according to the team quotas and sent entries.

All the bookings and accommodation request shall be sent directly to the OC of Zakopane address.

The price for the daily full board accommodation, for those over national quotas, is:

- 30 Euro per person FB

Cash and credit cards are accepted.

If there are any NSF who had made their own accommodation arrangements are obliged to inform the OC about the fact not later than **February 07<sup>th</sup>**

**The LOC does not guarantee the availability of accommodation for requests and entries sent later than February 3<sup>th</sup>**



# **FIS CUP**

## **ZAKOPANE 09-10.02.2013**



### **Hotel address:**

**Willa "Tadeusz"  
Oberconiówka 10  
+48 18 20 61 214**

### **TRANSFERS**

Airport pick-ups will be provided on the teams' requests.  
All team cars will get special parking labels to park in the reserved areas.

### **DEADLINES**

**Entries by numbers: January 30<sup>th</sup>**

**Entries by names: February 05<sup>th</sup>**

**Accreditation requests only by NSF by February 06<sup>th</sup>**

### **ARRIVALS**

By plane : Warszawa (450 km)  
Katowice (180 km)  
Kraków (110 km)  
By train : Zakopane  
By car : PL / SVK boarder:  
West - Sucha Hora- Chochołów 20km  
East - Łysa Polana 20 km

**All the airport pick-ups will be provided by the LOC at the teams' expense, provided that they are requested for in advance.**



# FIS CUP

## ZAKOPANE 09-10.02.2013



### PROGRAMME

#### **08.02.2013 PIĄTEK /FREITAG/ FRIDAY**

- 09:00 Odprawa Techniczna / Mannschaftsführersitzung / Team captains' meeting
- 12:00 Oficjalny trening HS-134 (2 serie)  
Offizielles Training HS-134 (2 Durchgänge)  
Official training HS-134 (2 rounds)

#### **09.02.2013 SOBOTA /SAMSTAG/ SATURDAY**

- 10:30 Seria próbna / Probedurchgang / Trial round
- 12:00 Konkurs skoków HS-134  
Sprungwettkampf HS-134  
Ski Jumping Competition HS-134

#### **10.02.2013 NIEDZIELA /SONNTAG/ SUNDAY**

- 10:30 Seria próbna / Probedurchgang / Trial round
- 12:00 Konkurs skoków HS-134  
Sprungwettkampf HS-134  
Ski Jumping Competition HS-134



# **FIS CUP**

## **ZAKOPANE 09-10.02.2013**



### **SKI WAXING and SERVICE AREA**

Ski wax cabins will be located at Wielka Krokiew HS-134 hill.

### **DOPING CONTROL**

According to FIS standards and rules.

### **INSURANCE**

All athletes need the insurance arranged by their National Ski Associations.  
The Organizing Committee is not responsible for any injuries of the athletes neither for the damage or lost property.

### **LANGUAGE**

The official language is English.

### **ADDITIONAL PROGRAMME**

**Ceremonies according to official programme and FIS guidelines.**

### **VISA INFORMATION**

This invitation should be enough to get visas. In case you will need assistance with getting these, do not hesitate to contact us.