

# INVITATION FIS CUP ZAKOPANE 10-11 JANUARY 2015

Dear Ski Friends,

Below you will find an invitation to the FIS Cup events that will be held in Zakopane, Poland on January 10 and 11.

We hope to provide you with all the necessary information on the event. Should you have any further question do not hesitate to get back to us.

## VENUE

Ski Jumping competitions will take place on the Wielka Krokiew HS-134 Jumping Hill.





FÉDÉRATION INTERNATIONALE DE SKI  
INTERNATIONAL SKI FEDERATION  
INTERNATIONALER SKI - VERBAND



No. 105 / POL 1 2.Verlängerung

**CERTIFICATE OF JUMPING HILL  
CERTIFICAT DE CONFORMITE  
SCHANZENPROFILBESTÄTIGUNG**

Date of issue 12.12.2011  
Établi le  
Ausgestellt am

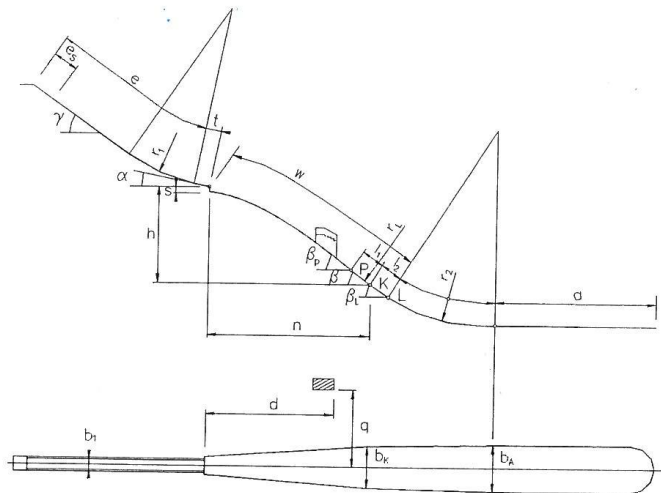
Valid till 31.12.2016  
Valable jusq' au  
Gültig bis

Place: Zakopane

Name: Wielka Krokiew

HS = 134 m h/n 0.585

Vo = 25.5m/s



$e = 91 \text{ m}$	$l_1 = 11 \text{ m}$	$P = 109 \text{ m}$
$e_s = 16 \text{ m}$	$l_2 = 13.90 \text{ m}$	$K = 120 \text{ m}$
$t = 6.5 \text{ m}$	$a = 107 \text{ m}$	$L = 133.90 \text{ m}$
$\gamma = 35^\circ$	$\beta_p = 37.5^\circ$	$b_1 = 2.5 \text{ m}$
$\alpha = 10.5^\circ$	$\beta = 35.5^\circ$	$b_K = 24 \text{ m}$
$r_1 = 100 \text{ m}$	$\beta_L = 33^\circ$	$b_A = 26.4 \text{ m}$
$h = 60.29 \text{ m}$	$r_L = 316 \text{ m}$	$d = 84 \text{ m}$
$n = 103.06 \text{ m}$	$r_2 = 133.5 \text{ m}$	$q = 35 \text{ m}$
$s = 3.0 \text{ m}$		

JUMPING HILL APPROVED BY THE FIS  
TREMPLIN HOMOLOGUE PAR LA FIS  
DURCH DIE FIS GENEHMIGTE SPRUNGSCHANZE

SUB-COMMITTEE FOR JUMPING HILLS

CHAIRMAN:

*Leannh*



## **ORGANISING COMMITTEE**

Tatrzański Związek Narciarski – TATRA SKI FEDERATION  
ul. Bronisława Czecha 1B  
34-500 Zakopane, Poland  
Phone: +48 18 20 153 08  
Fax: +48 18 20 125 88  
Email: [office@tzn.com.pl](mailto:office@tzn.com.pl)  
Website: <http://www.tzn.com.pl>

## **Race Office, Accreditation and Accommodation Office**

Tatrzański Związek Narciarski – TATRA SKI FEDERATION  
ul. Bronisława Czecha 1B  
34-500 Zakopane, Poland

## **Meeting room**

Hotel Hyrny  
Ul. Piłsudskiego 20  
34-500 Zakopane, Poland

## **ACCOMMODATION**

The FIS Ski Jumping FIS Cup Zakopane 2015 Organizing Committee takes care of the full board accommodation for the athletes and officials.

The bookings for national teams are organized by the OC according to the team quotas and sent entries.

All the bookings and accommodation request shall be sent directly to the OC of Zakopane address.

The price for the daily full board accommodation, for those over national quotas, is:

- 40 Euro per person FB

Cash and credit cards are accepted.

If there are any NSF who had made their own accommodation arrangements are obliged to inform the OC about the fact not later than **December 10<sup>th</sup>**

**The LOC does not guarantee the availability of accommodation for requests and entries sent later than December 20<sup>th</sup>**



**Hotel address:**

Hotel Hymn  
Ul. Piłsudskiego 20  
34-500 Zakopane, Poland

**TRANSFERS**

Airport pick-ups will be provided on the teams' requests.  
All team cars will get special parking labels to park in the reserved areas.

**DEADLINES**

**Entries by numbers: December 18<sup>th</sup>**

**Entries by names: January 4<sup>th</sup>**

**Accreditation requests only by NSF by January 2<sup>nd</sup>**

**ARRIVALS**

By plane : Warszawa (450 km)  
Katowice (180 km)  
Kraków (110 km)  
By train : Zakopane  
By car : PL / SVK boarder:  
West - Sucha Hora- Chochołów 20km  
East - Łysa Polana 20 km

**All the airport pick-ups will be provided by the LOC at the teams' expense, provided that they are requested for in advance.**



**„PAKFOL”**



**brutal**



# PROGRAMME

## **09.01.2015 PIĄTEK /FREITAG/ FRIDAY**

Przyjazd ekip / Anreise / Teams' arrival at the Zakopane – Hotel Hyrny

20:00 Odprawa Techniczna / Mannschaftsführersitzung / Team captains' meeting - Hotel Hyrny

## **10.01.2015 SOBOTA /SAMSTAG/ SATURDAY**

9:00 Oficjalny trening HS-134 (2 serie)  
Offizielles Training HS-134 (2 Durchgänge)  
Official training HS-134 (2 rounds)

11:30 Konkurs skoków FIS Cup HS-134  
Sprungwettkampf FIS Cup HS-134  
Ski Jumping FIS Cup HS-134  
Followed by final and price giving ceremony

## **11.01.2015 NIEDZIELA /SONNTAG/ SUNDAY**

10:30 Seria próbna / Probedurchgang /Trial round

12:00 Konkurs skoków FIS Cup HS-134  
Sprungwettkampf FIS Cup HS-134  
Ski Jumping FIS Cup HS-134  
Followed by final and price giving ceremony



## FIS OFFICIALS

<b>FIS CUP Coordinator</b>	<b>Ueli Forrer</b>	<b>FIS</b>
<b>TD</b>	<i>Renata Nadarkiewicz</i>	<b>POL</b>
<b>TD-Assistant</b>	<i>Piotr Fijas</i>	<b>POL</b>
<b>Jumping Judges</b>	<i>Ryszard Guńka</i>	<b>POL</b>
	<i>Kazimierz Bafia</i>	<b>POL</b>
	<i>Tadeusz Szostak</i>	<b>POL</b>
	<i>Edward Przybyła</i>	<b>POL</b>
	<i>Andrzej Galica</i>	<b>POL</b>

## SKI WAXING and SERVICE AREA

Ski wax cabins will be located at Wielka Krokiew HS-134 hill.

## DOPING CONTROL

According to FIS standards and rules.

## INSURANCE

All athletes need the insurance arranged by their National Ski Associations.  
The Organizing Committee is not responsible for any injuries of the athletes neither for the damage or lost property.

## LANGUAGE

The official language is English.

## ADDITIONAL PROGRAMME

**Ceremonies according to official programme and FIS guidelines.**

## VISA INFORMATION

This invitation should be enough to get visas. In case you will need assistance with getting these, do not hesitate to contact us.



**„PAKFOL”**



**brutal**

